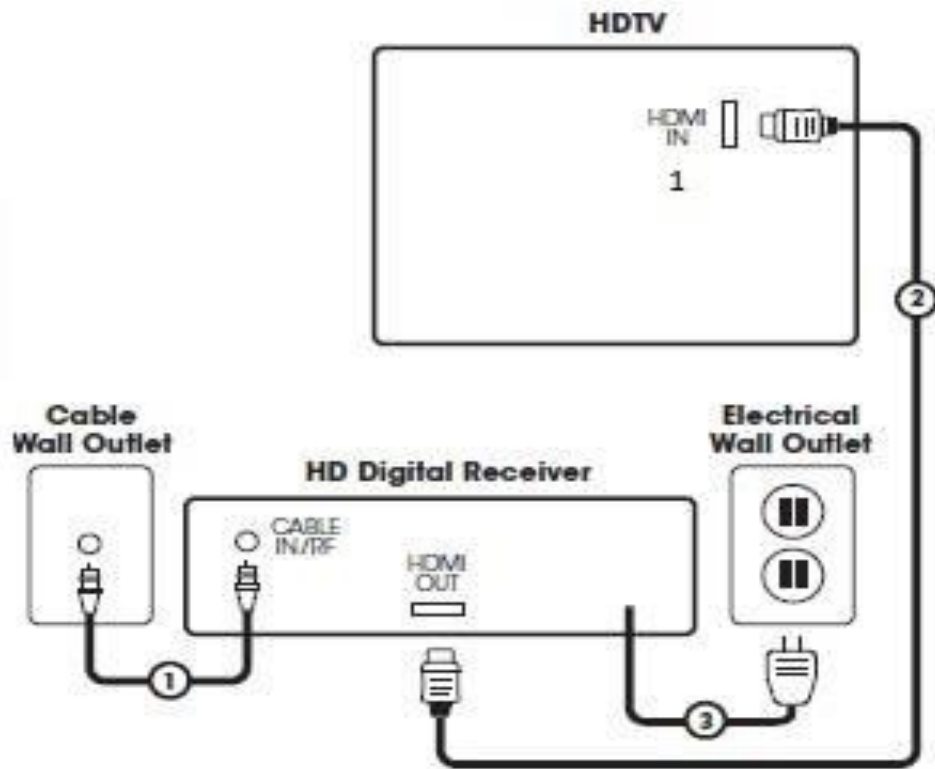
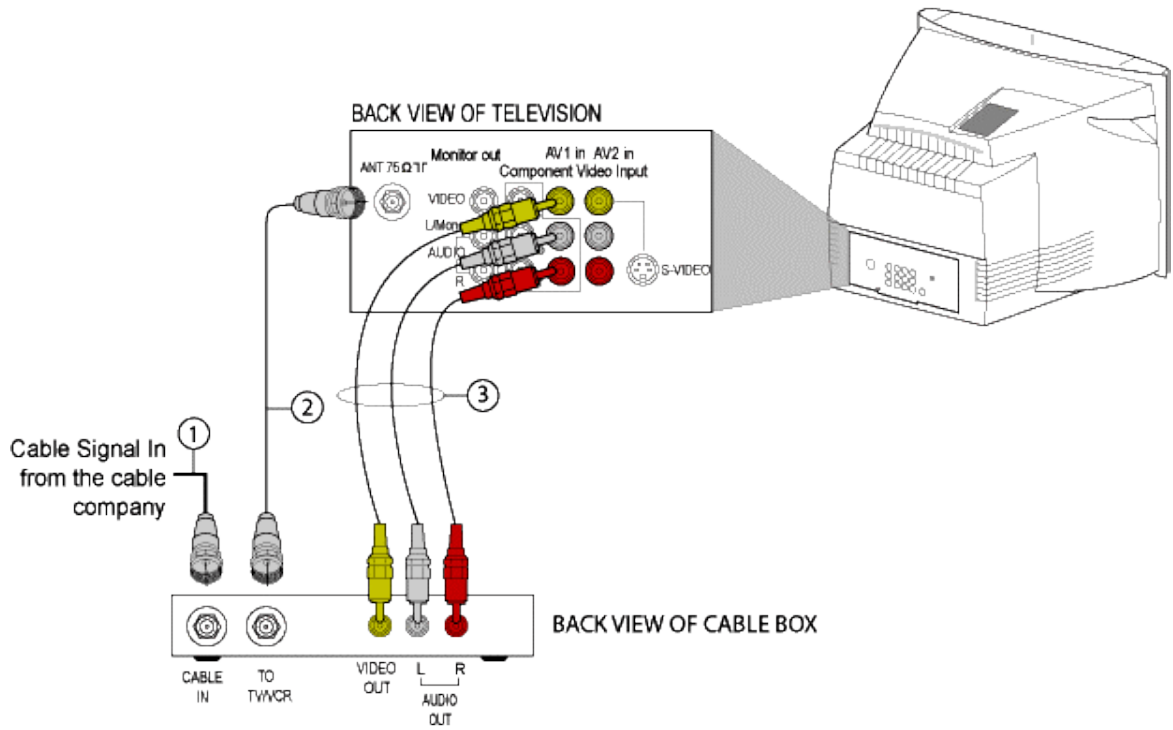


HDTV's



Tube TV's

RF/ COAXIAL CABLE CONNECTION VIA A CABLE BOX



Blu-ray/DVD/VHS Players

